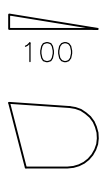


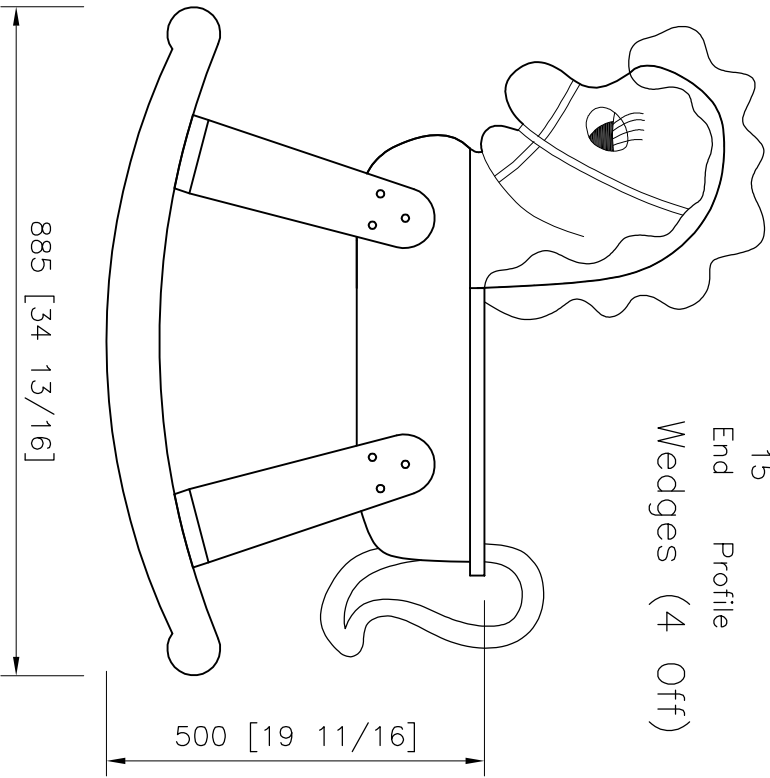
Notes:

All components 19mm (3/4 inch) timber of your choice.
 Mane and tail to be made from wool
 Grids are 50mm

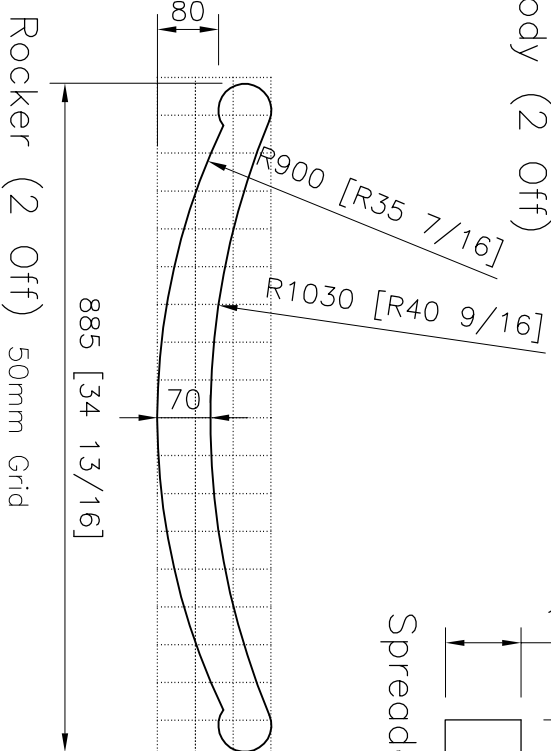
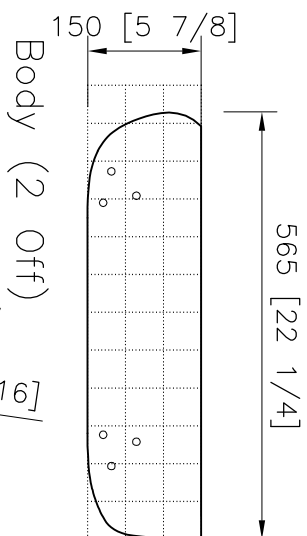
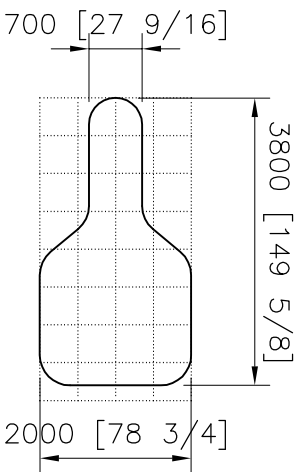


15
 End Profile

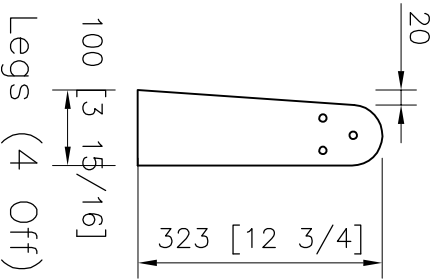
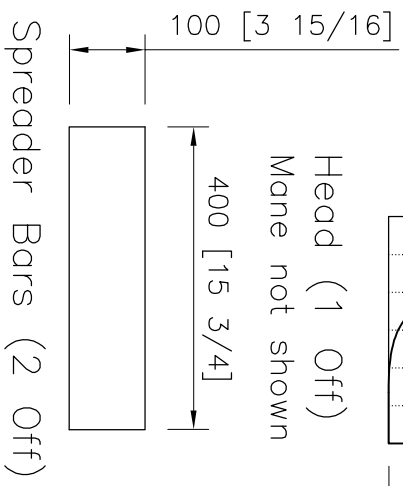
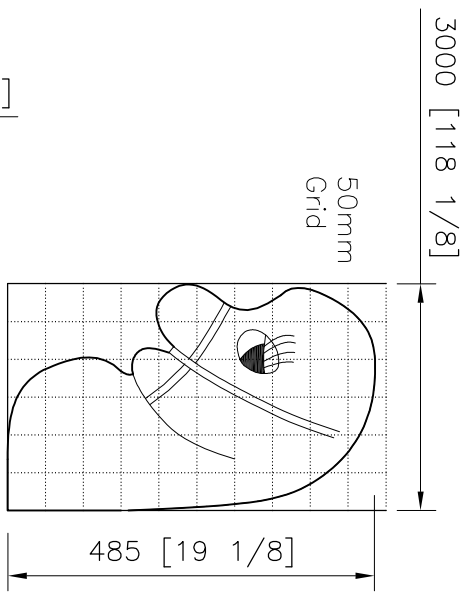
Wedges (4 Off)



Side View



Component Parts



This work is licensed under the Creative Commons Attribution-NonCommercial 2.5 Australia License. To view a copy of this license, visit <http://creativecommons.org/licenses/by-nc/2.5/au/> or send a letter to Creative Commons, 171 Second Street, Suite 300, San Francisco, California, 94105, USA.

You are encouraged to freely copy and distribute this work without any amendments or changes.

Simple Rocking Horse

WoodworkingDownunder.com

Sheet 1